

# PRODUCT INFORMATION PACKET

Modal No: 5KCR46MN0090X  
Catalog No: E261  
1/2, 1725/1425, DP, 56C, 1/60/100-120/200-240  
Open Drip Proof (ODP)



Regal and Marathon are trademarks of Regal Beloit Corporation or one of its affiliated companies.

©2017 Regal Beloit Corporation, All Rights Reserved. MC017097E

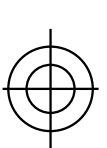


## Nameplate Specifications

Output HP	<b>.5 Hp</b>	Output KW	<b>.37 kW</b>
Frequency	<b>60 Hz</b>	Voltage	<b>100-120/200-240 V</b>
Current	<b>5.8-5.6 A</b>	Speed	<b>1725 rpm</b>
Service Factor	<b>1.25</b>	Phases	<b>1</b>
Efficiency	<b>0 %</b>	Duty	<b>CONT</b>
Insulation Class	<b>B</b>	KVA Code	<b>N</b>
Frame	<b>56C</b>	Enclosure	<b>DP</b>
Overload Protector	<b>AUTO</b>	Ambient Temperature	<b>40 °C</b>
Drive End Bearing Size	<b>6203</b>	Opp Drive End Bearing Size	<b>6203</b>
UL	<b>Recognized</b>	CSA	<b>Y</b>
CE	<b>N</b>		

## Technical Specifications

Electrical Type	<b>Capacitor Start Capacitor Run(CSCR)</b>	Starting Method	<b>SM</b>
Poles	<b>4</b>	Rotation	<b>CCW/CW</b>
Mounting	<b>WB</b>	Motor Orientation	<b>ANY</b>
Drive End Bearing	<b>LOCKED</b>	Opp Drive End Bearing	<b>BALL</b>
Overall Length	<b>10.77 in</b>	Frame Length	<b>6.55 in</b>
Shaft Extension	<b>.625 X 1.88 - .188 X .188 KEY in</b>		



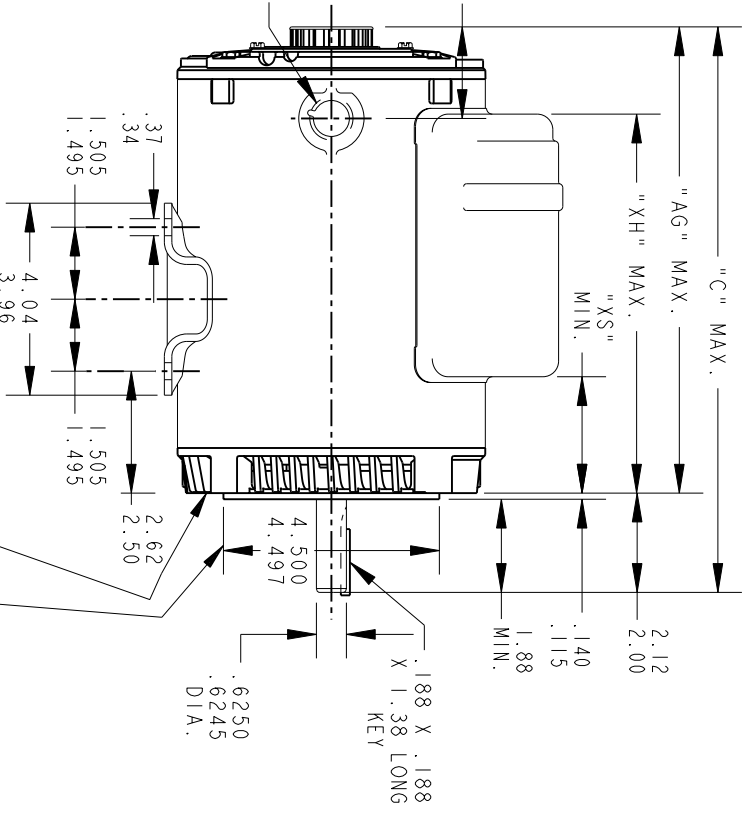
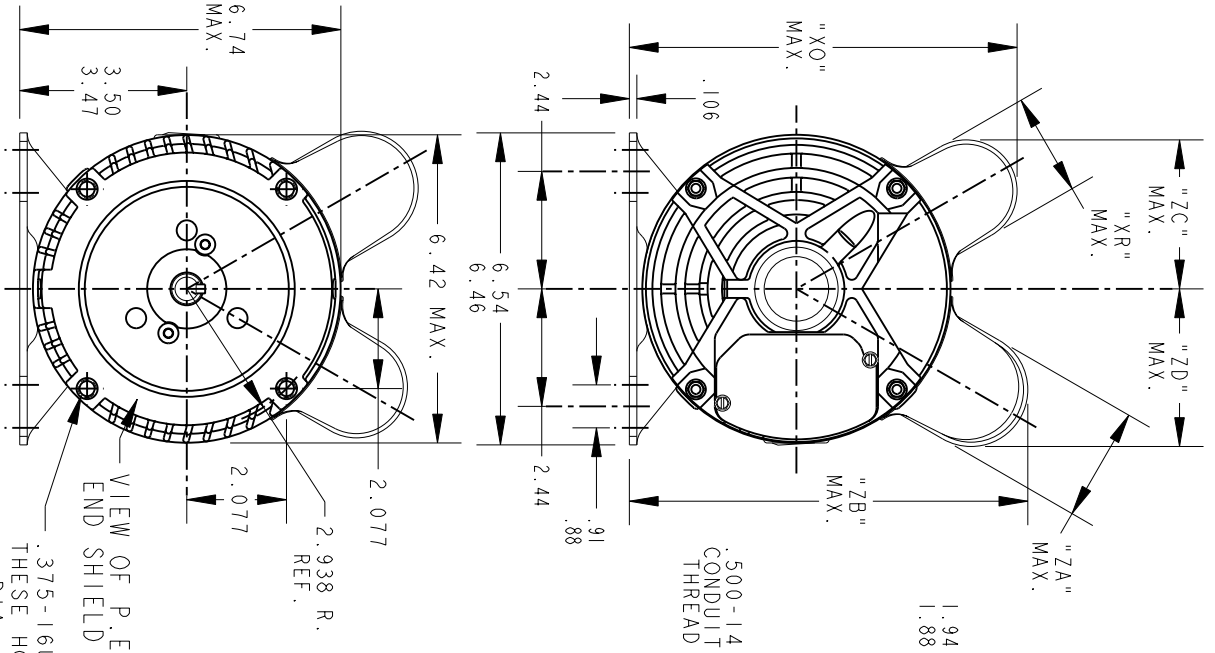
THIRD ANGLE PROJECTION

REVISIONS

REV.	DESCRIPTION	DATE	APPROVED
4	CHG TO RBC FORMAT PER IS05-1777	03/02/06	SUDHA

REV 4  
52A107779

SIZE A DRAWING NO.



ALL DIMENSIONS ARE IN INCHES

2	KCR	49	56CY	11.38	9.26	7.54	8.18	2.15	1.79	2.40	8.40	3.20	3.38	7.15
1	KCR	46	56CY	10.78	8.66	6.94	8.18	2.15	1.19	2.40	8.40	3.20	3.38	6.55
P	TYPE	GE SIZE	NEMA FR.	"C"	"AG"	"XH"	"XO"	"XR"	"XS"	"ZA"	"ZB"	"ZC"	"ZD"	MIN. SHELL



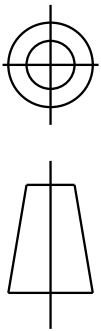
REGAL-BELOIT CORPORATION

OUTLINE

TITLE  
**GENERAL PURPOSE MOTOR DRIP PROOF - BALL BEARING**  
- WELDED BASE R2 END MOUNTED FME - 5KCR46JN0083Y & 5KCR49PN0095Y

SIGNATURES		DATE
MODEL	M.D. PAPER	02/27/92
DETAIL		
CHECKED		
ENGRG		
FOR ADDITIONAL INFO REFER TO:	MFG	
APPLIED PRACTICES	QUALITY	
DIMENSIONS ARE IN INCHES	ISSUED	M.D. PAPER 02/27/92
MATERIAL	SOLID MODEL:	52A107779

SIZE	DRAWING	SCALE	0.250	REF. No.	SHEET	1 of 1
A					52A107779	4

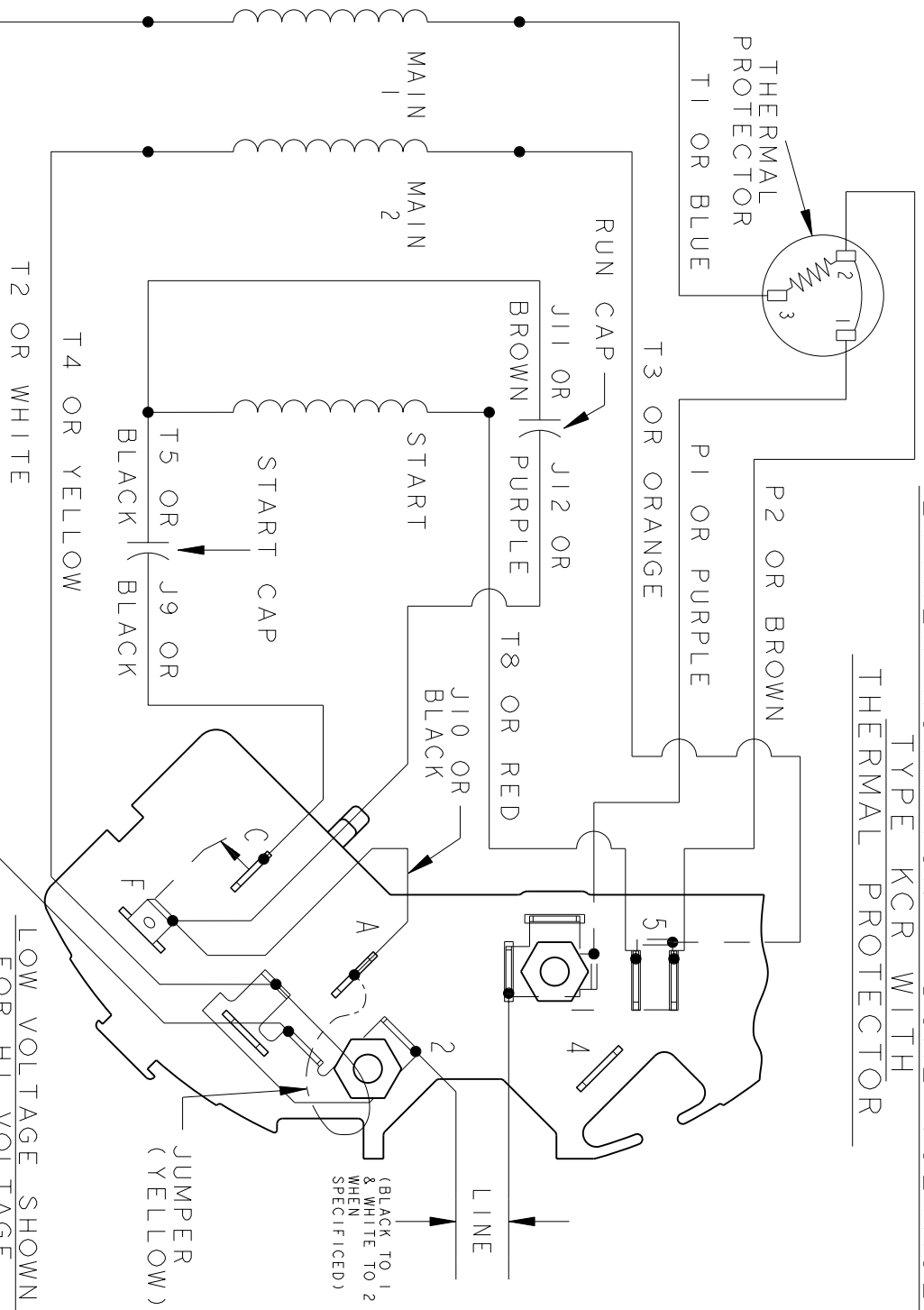


REV.	DESCRIPTION	DATE	APPROVED
4	ADDED NOTE FOR LINE LEAD PER DS09-1045	07/15/09	ARCHANA

EITHER ROTATION - DUAL VOLTAGE  
TYPE KCR WITH  
THERMAL PROTECTOR

52A105383AC

SIZE DRAWING NO.



- NOTE #1 - FOR HI VOLTAGE REMOVE BROWN (P2) FROM TERMINAL #5 AND PLACE ON TERMINAL #4, REMOVE WHITE (T2) FROM TERMINAL #2 AND PLACE ON TERMINAL #5.
- NOTE #2 - TO REVERSE ROTATION INTERCHANGE BLACK (J10) AND RED (T8) LEADS.
- NOTE #3 - WHEN MORE THAN ONE CAPACITOR IS USED CONNECT IN PARALLEL.

REF. DIAG. - NONE

SWITCH - 115D958AC

CONNECTION LABEL - 52X332051

SIGNATURES	DATE
MODEL M.D. PAPE	03/03/88
DETAIL	
CHECKED	
ENGRG	
MFG	
FOR ADDITIONAL INFO REFER TO:	
APPLIED PRACTICES	ISSUED
DIMENSIONS ARE IN INCHES	M.D.P.
MATERIAL	SOLID MODEL: 52A105383AC



REGAL-BELOIT CORPORATION

TITLE CONNECTION DIAGRAM

FMF: 30 FRAME SWITCH REDESIGN

SIZE DRAWING	A	SCALE: 1.000	REF. No.:	SHEET 1 of 1
REV	4			